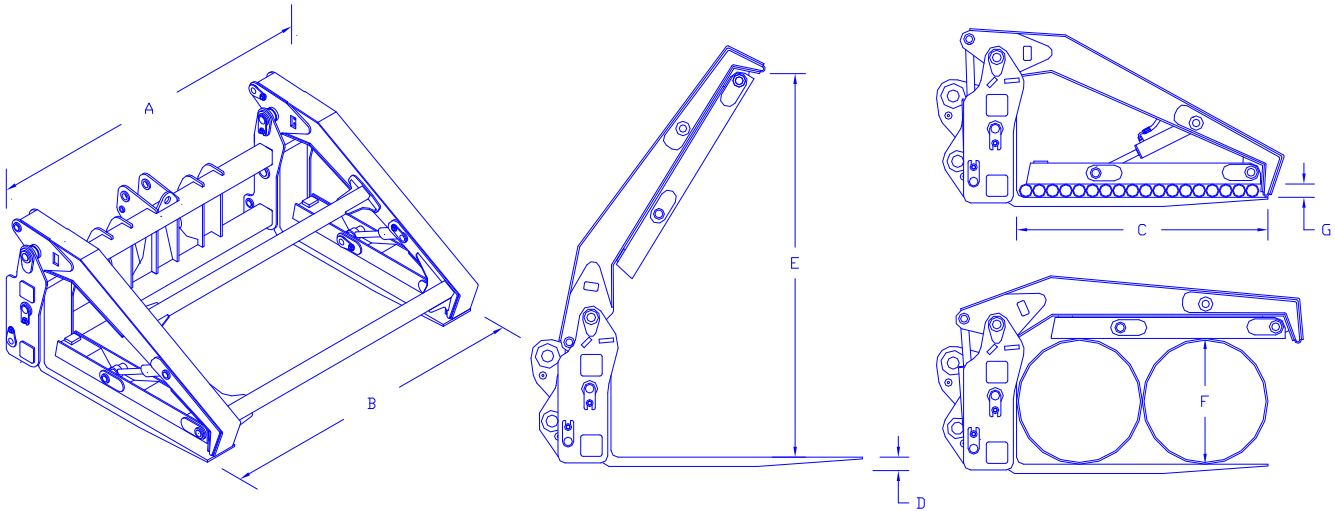




WPDC Wicker Pipe Fork

The **WPDC Pipe Forks** are designed for use where a dual top clamp is needed. They are excellent for handling a large range of pipe. The wide frame and dual clamps give added stability to your load. The WPDC pipe fork is made with high-strength alloy steel which gives it the same strength and dependability as all Wicker Products.



Loader Class	300	400	500	600	700	800
A. Overall Width	96"	96"	120"	120"	120"	120"
B. Width across tines	92"	92"	116.5"	116.5"	115.5"	115.5"
C. Tine Reach	60"	60"	72"	72"	96"	102"
D. Tine size	2.5 x 7"	2.5 x 7"	3 x 8	3.5 x 8	4 x 10"	3.5 x 16"
E. Maximum Opening	106"	106"	114"	114"	160"	160"
F. Max Parallel Clamping	36"	36"	36"	36"	48"	48"
G. Min Parallel Clamping	2"	2"	2"	2"	2"	2"
Weight (lbs.)	5,300	5,400	6,400	6,800	9,500	17,800

*Custom widths and tine sizes are available

Wicker Machine Company

Hollandale, MS • 1-800-748-9476 • wickermachinecompany.com