

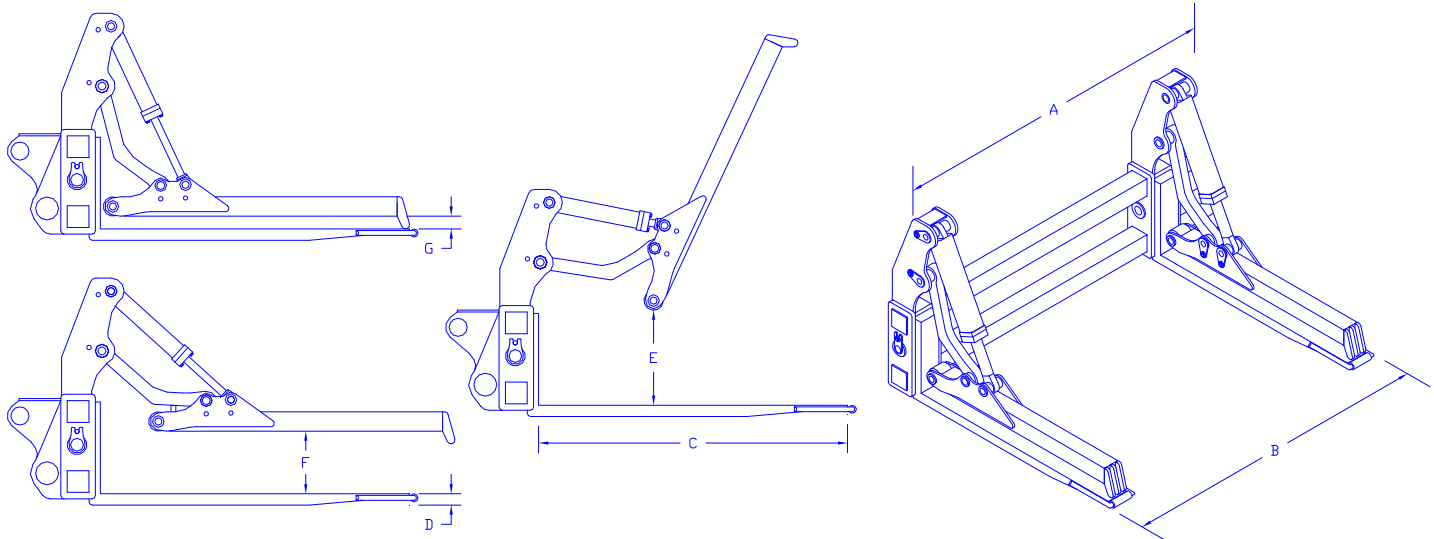


WPF Wicker Pole Fork

With its unique design, the Wicker model **WP Pole Fork** is ideal for handling poles one layer at a time or large multi-tiered loads. The floating arms on this fork guarantee the even and secure clamping of each load while the standard eight inch wide tine rollers, made of wear resistant alloy material, ensure the protection of the poles. The **WP Pole Fork** is built of high tensile steel for maximum strength and minimum weight. The heavy duty cylinders feature inducted hardened chrome-plated cylinder rods. The over-sized cylinder pins and arm pins assure long life and low maintenance. This fork is equipped with 4-wire high pressure hydraulic hoses that are protected with armor spring guard.



The Wicker model **WP Pole Fork** is designed to provide years of reliable service in any pole yard.



Loader Class	300	400	500	600	700	800
A. Overall Width	90"	90"	90"	90"	120"	120"
B. Width across tines	88"	88"	88"	88"	118"	118"
C. Tine Reach	72"	72"	72"	84"	96"	96"
D. Tine size	2.5 x 7"	2.5 x 7"	3 x 8	3.5 x 8	4 x 10"	4 x 12"
E. Maximum Opening	24"	24"	29.5"	29.5"	29.5"	36"
F. Max Parallel Clamping	18"	18"	20"	20"	20"	24"
G. Min Parallel Clamping	4"	4"	4"	4"	4"	4"
Weight (lbs.)	4,400	4,650	4,820	5,800	7,800	12,500

*Custom widths and tine sizes are available

Wicker Machine Company

Hollandale, MS • 1-800-748-9476 • wickermachinecompany.com