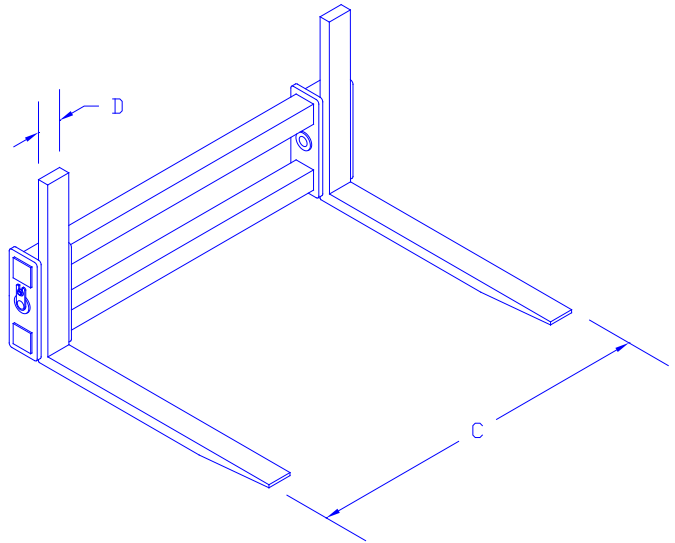
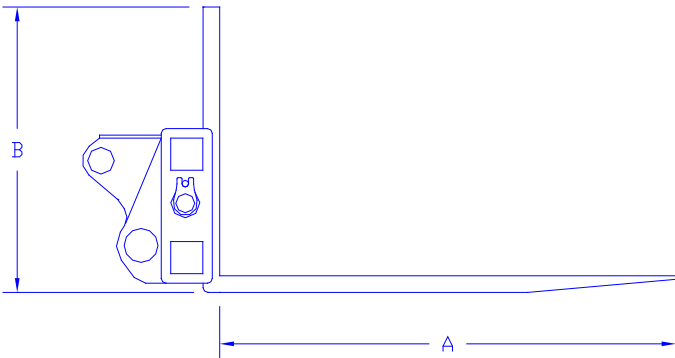




WF Wicker Utility Forks

The **WF Utility Forks** are designed for use where a top clamp is not needed. They are excellent for handling a variety of materials. The wide frame gives added stability to your load. The **WF Utility Fork** is made with high-strength alloy steel which gives it the same strength and dependability as all Wicker Products.



Loader Class	200	300	400	500	600	700
A. Tine Reach	48",60",72"	48",60",72"	60",72",84",96"	60",72",84",96"	84",96",108"	84",96",108"
B. Back Height	60"	60"	60"	60"	60"	60"
C. Overall Width	60"-96"	60"-96"	96"-120"	96"-120"	96"-120"	96"-120"
D. Tine Width	7"	8"	8"	8"	10"	12"
Weight (lbs.)	1,200-1,600	1,350-1,750	3,250-3,500	3,500-3,800	5,200-5,800	6,500-7,800

*Custom widths and tine reaches are available

Wicker Machine Company

Hollandale, MS • 1-800-748-9476 • sales@wickermachinecompany.com