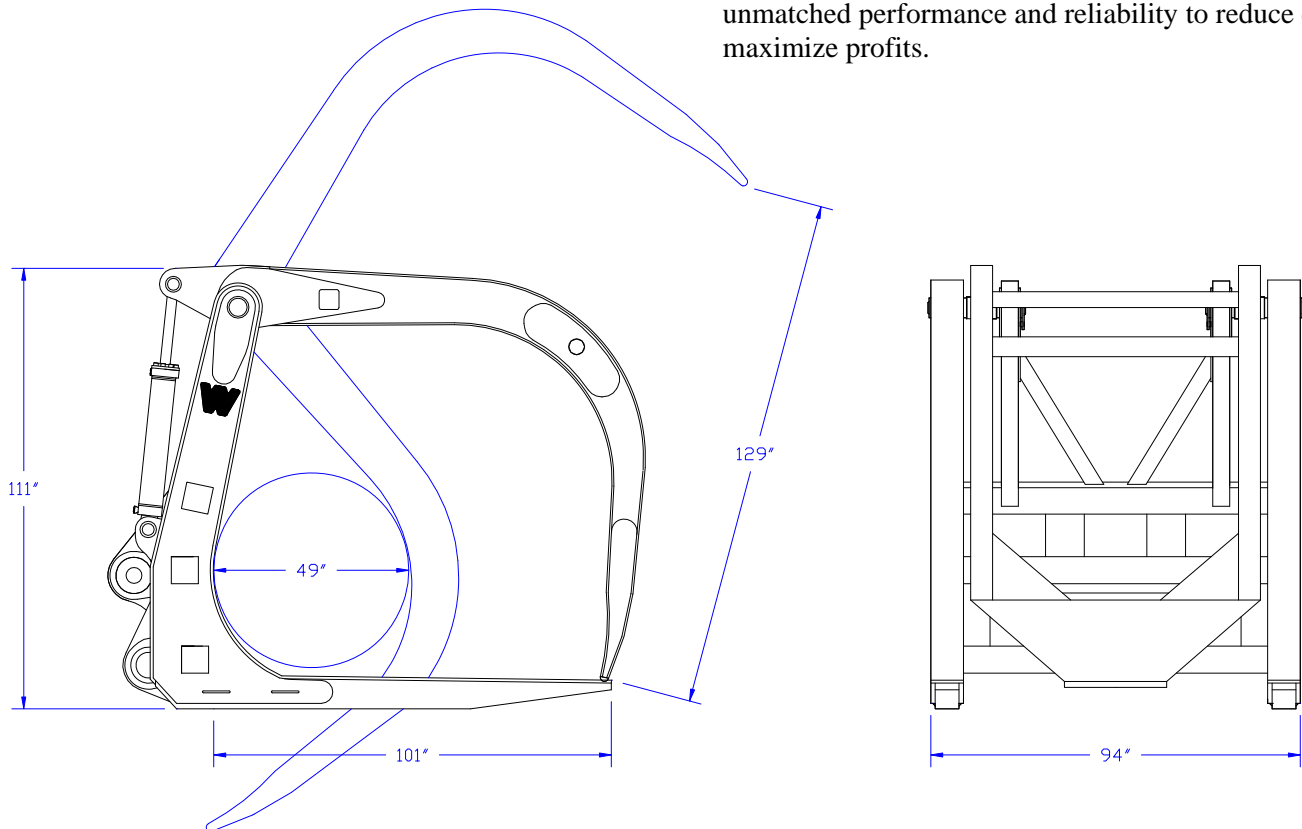


WE-XC Millyard Fork



The Wicker model [WE-XC Millyard Fork](#) with its exceptional strength and uncompromising quality is designed to unload entire truck loads in a single pass and yet have the flexibility to sort logs and feed the mill. The tines, made of solid T-1 material, offer maximum strength and excellent resistance to impact and abrasion. The entire fork is made of high-strength steel to provide years of trouble free service. Optional wear plates are also available. The severe-duty cylinders used on this model feature bolted cylinder heads for easy access, case hardened bushing, stress-proof pins, inducted-hardened chrome piston rods and high-strength stress relieved tubing. This model also features superior high pressure 4-wire hydraulic hoses protected by weather resistant spring guard.

The Wicker [WE-XC Millyard Fork](#) offers unmatched performance and reliability to reduce cost, and maximize profits.



**Custom widths are available*

Wicker Machine Company

Hollandale, MS 38748 • 662-827-5434 • 1-800-748-9476