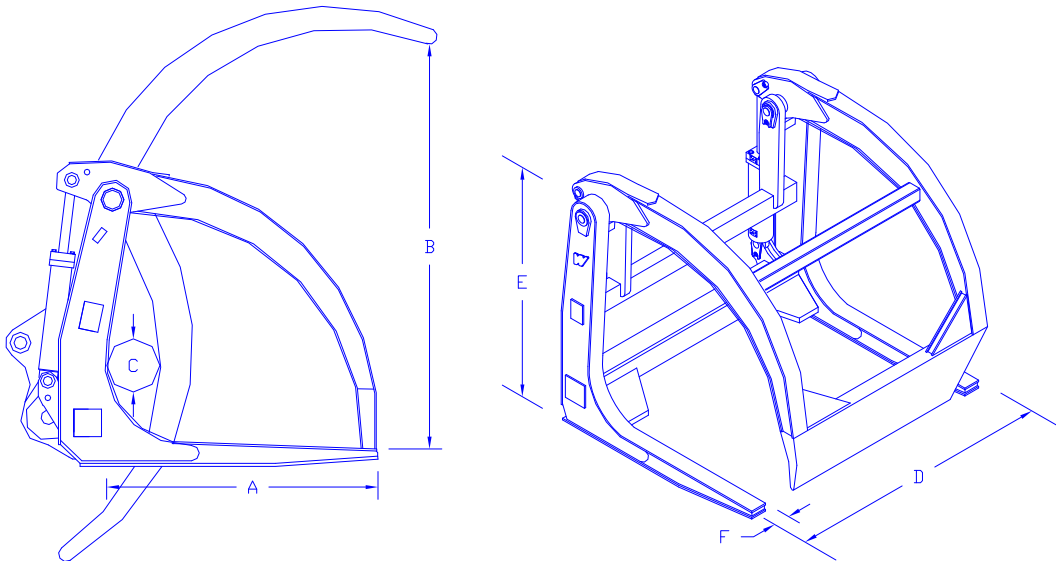




Wicker Millyard Fork

The Wicker model **WE Millyard Fork** with its exceptional strength and uncompromising quality is designed to comfortably handle the most severe logging and Millyard applications. The tines, made of solid T-1 material, offer maximum strength and excellent resistance to impact and abrasion. The entire fork is made of high-strength steel to provide years of trouble free service. The clamp is shaped to insure quick unloading of large diameter and tree-length logs. This model is also available with high capacity double top clamps for larger peeler or multiple log loads. Equipped with optional tine rollers, the **WE Millyard Fork** becomes an excellent tool for handling poles.

The Wicker **WE Millyard Fork** offers unmatched performance and reliability to reduce cost and maximize profits.



Loader Class:	300	400	500	600	700	800
A. Tine Reach	48"	54"	60"	66"	72"	90"
B. Maximum Opening	96"	100"	110"	122"	130"	160"
C. Minimum Opening	8"	10"	10"	11"	13"	14"
D. Overall Width*	85"	87"	87"	87"	102"	110"
E. Back Height	56"	62"	65"	69"	73"	94"
F. Tine Width	5.5"	5.5"	5.5"	5.5"	6.0"	7.0"
Weight (Lbs.)	3,550	4,000	4,350	5,250	7,100	9,600

* Custom Minimum Widths and Maximum Widths are available.

Wicker Machine Company

Hollandale, MS • 1-800-748-9476 • wickermachinecompany.com